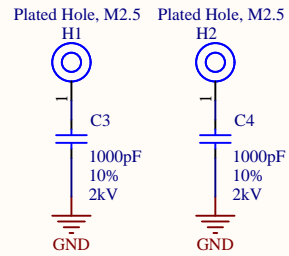
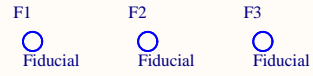
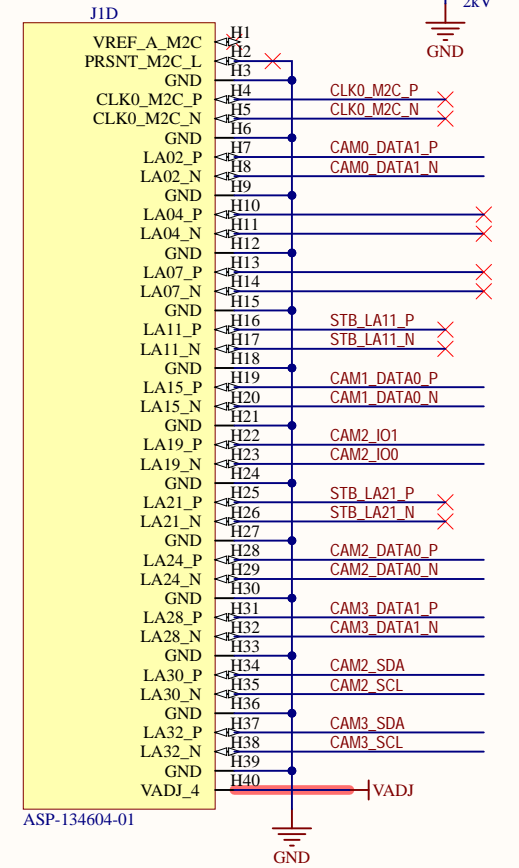
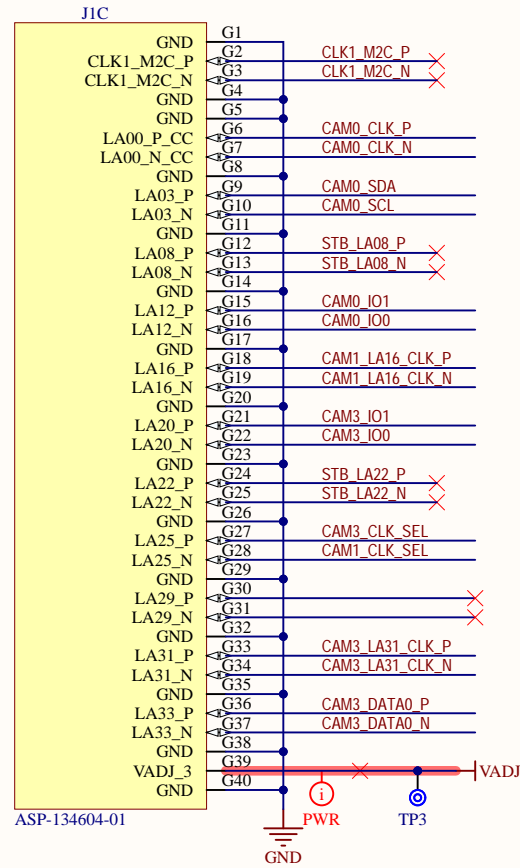
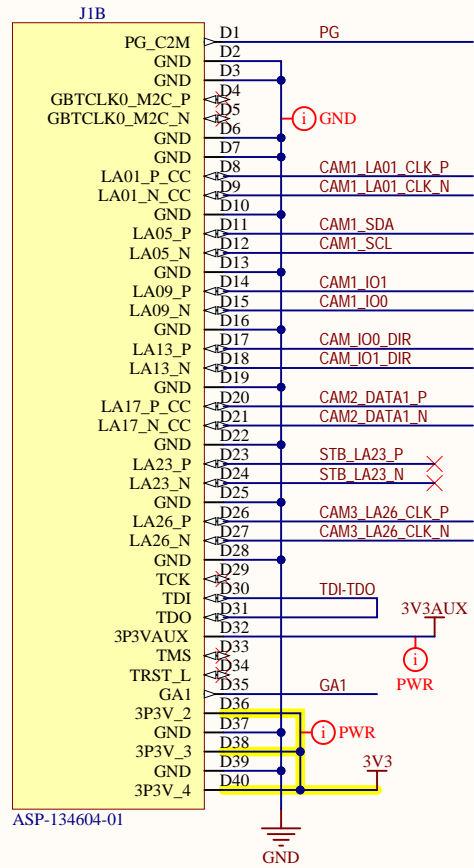
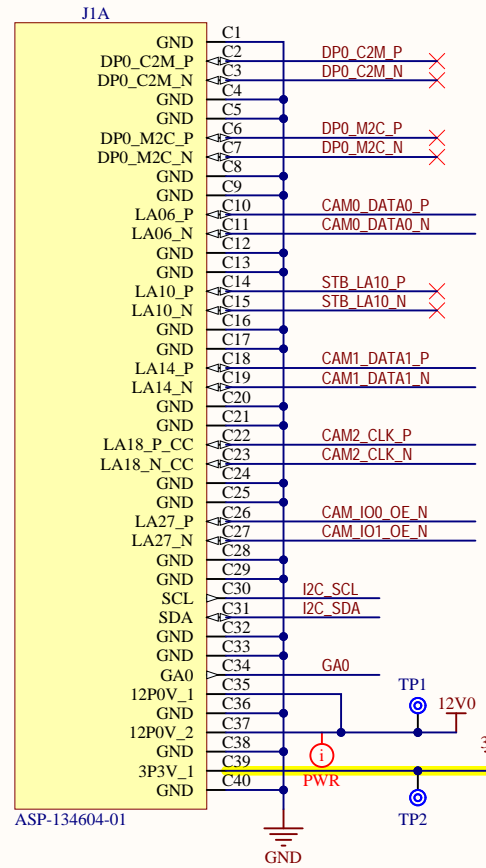
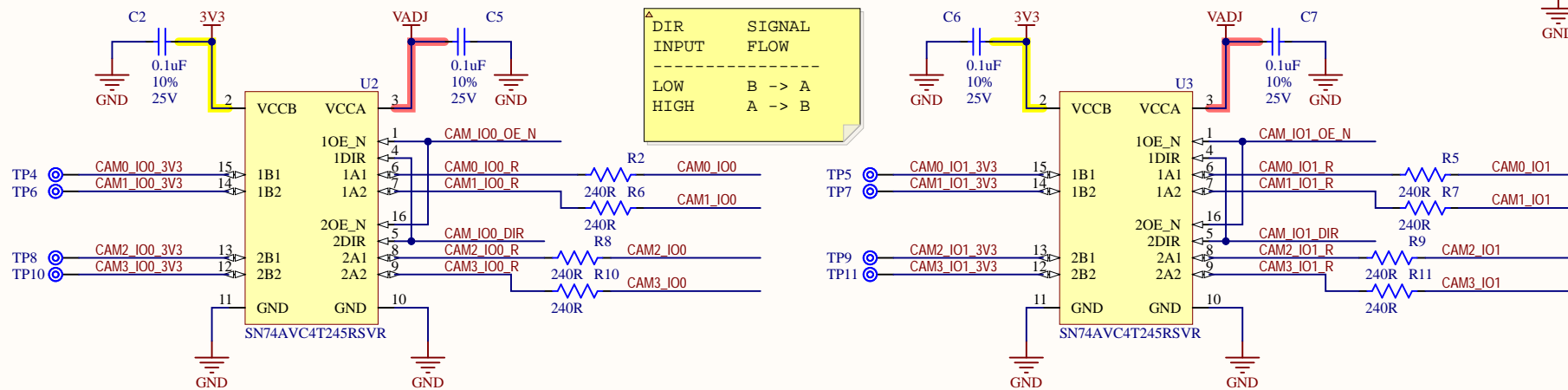


REV.	DESCRIPTION	DATE	APPROVED
B-1	First release	2023-04-26	J Johnson

LPC FMC

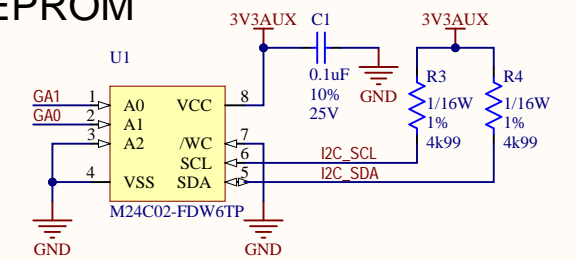


VOLTAGE TRANSLATION (CAM_IO0 & CAM_IO1)



EEPROM

According to the VITA 57.1 standard: GA0 goes to A1, GA1 goes to A0



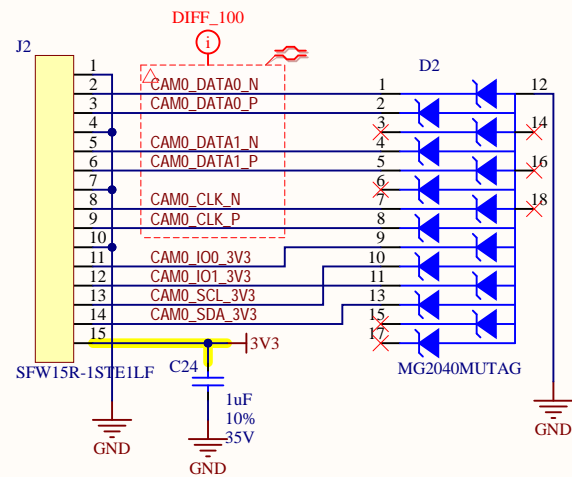
opsero
ELECTRONIC DESIGN

TITLE: RPI Camera FMC
SHEET: FMC Connector
CONFIG: [No Variations]

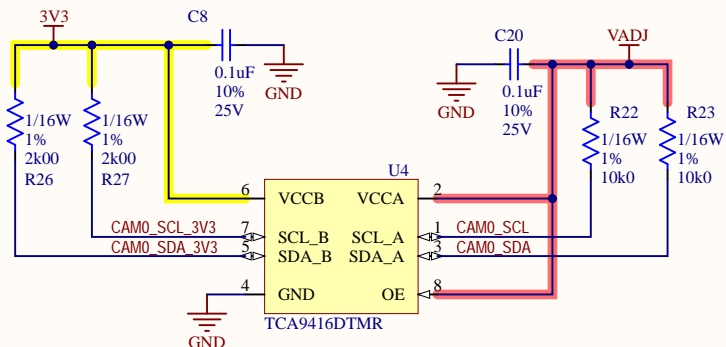
PROJECT: RPI Camera FMC	DRAWN: J Johnson	DATE: 2022-12-09
SIZE: B	SCH PIN: OP068-01-SCH	REV. SHEET: B-1 OF 3

REV.	DESCRIPTION	DATE	APPROVED
B-1	First release	2023-04-26	J Johnson

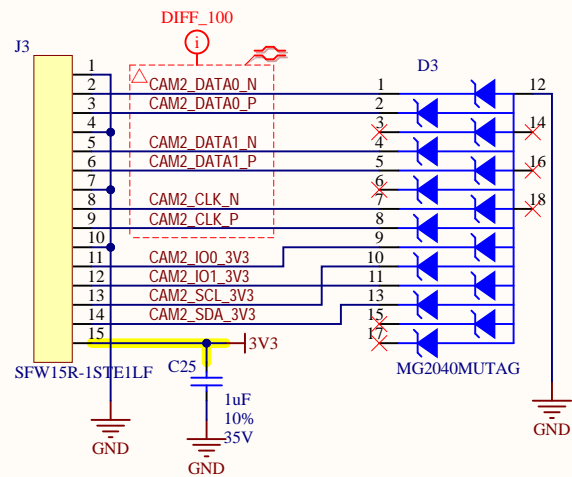
CAMERA 0



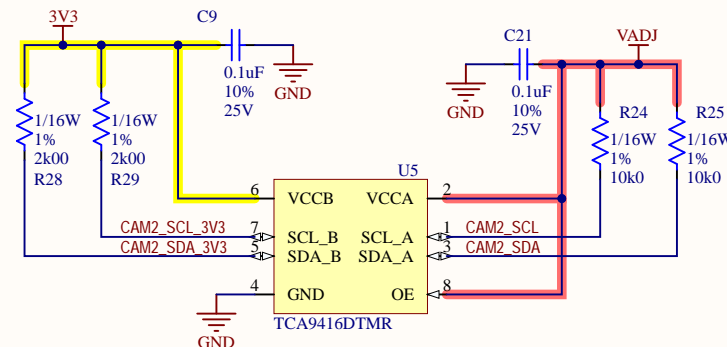
I2C VOLTAGE TRANSLATION



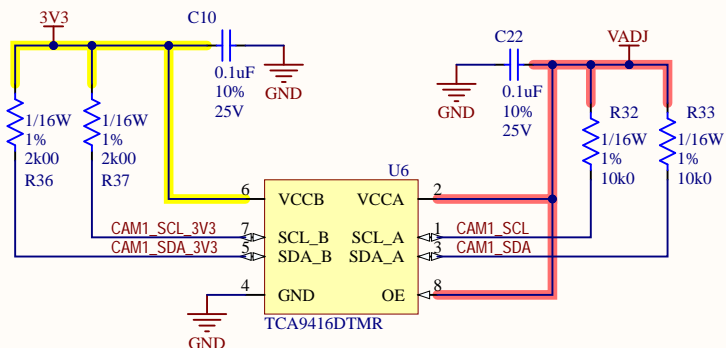
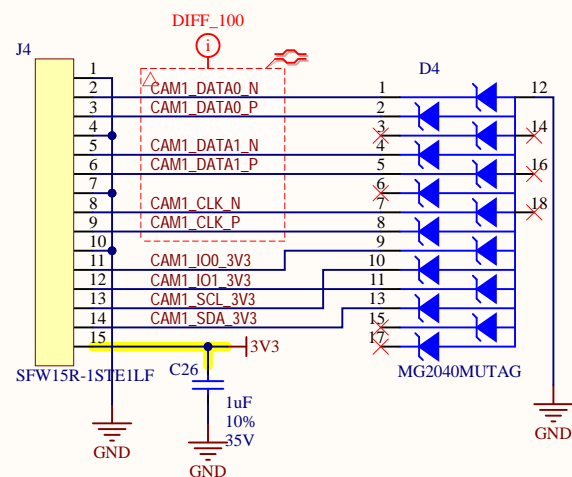
CAMERA 2



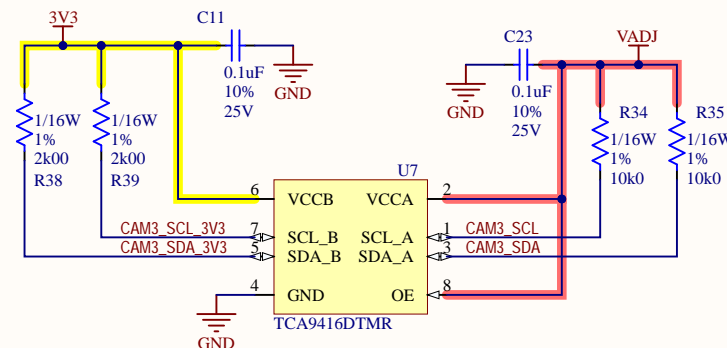
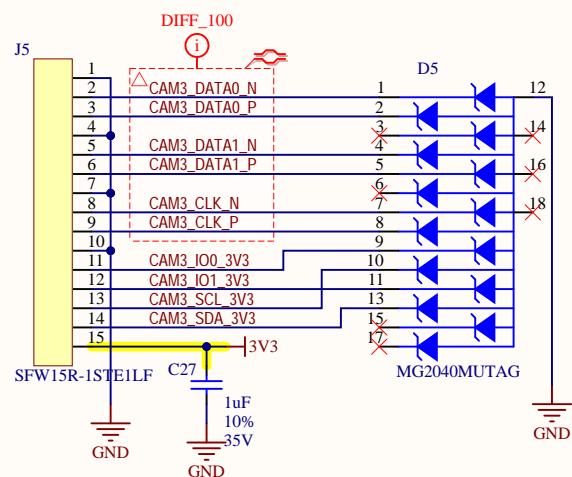
I2C VOLTAGE TRANSLATION



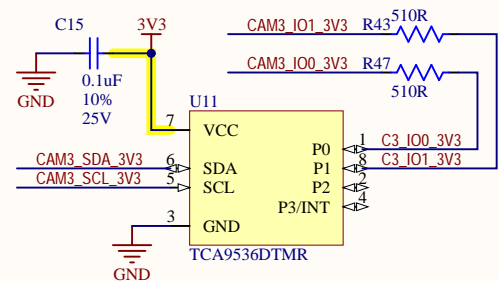
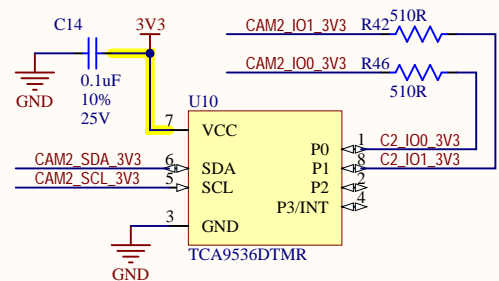
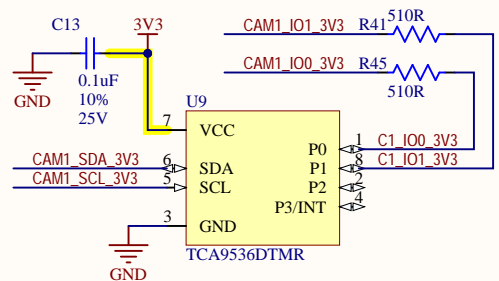
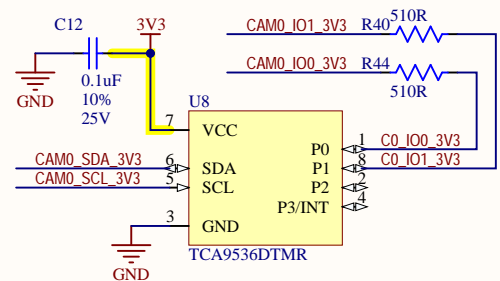
CAMERA 1



CAMERA 3



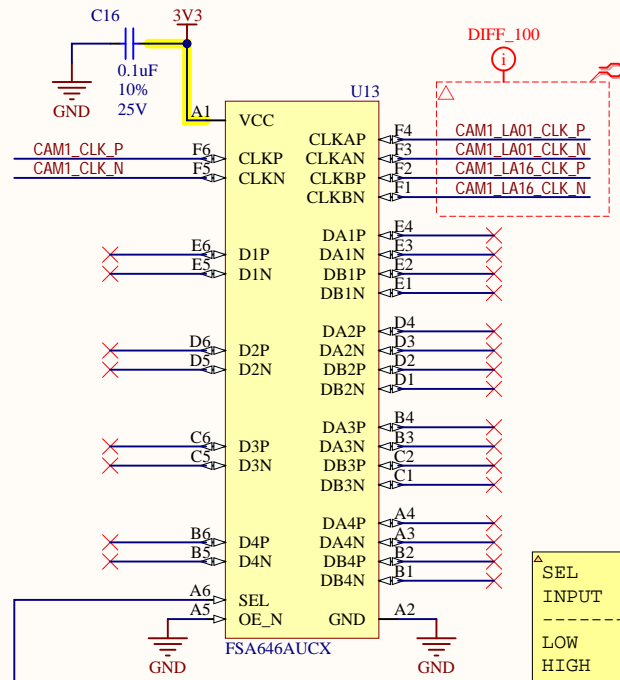
I2C I/O EXTENDERS (FOR TEST ONLY)



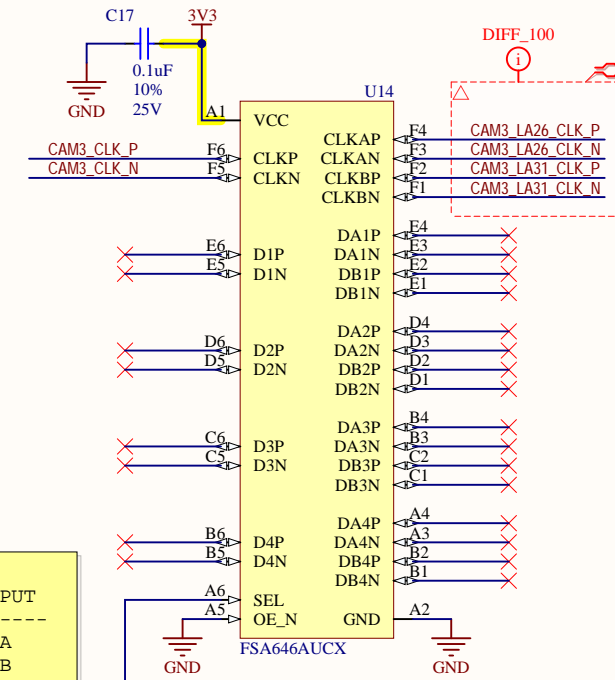
TITLE		RPI Camera FMC	
SHEET		RPI Cameras	
CONFIG.		[No Variations]	
PROJECT	RPI Camera FMC	DRAWN	J Johnson
DATE	2022-12-09	REV.	B-1
SIZE	SCH PIN.	OP068-01-SCH	
SHEET	2	OF	3

REV.	DESCRIPTION	DATE	APPROVED
B-1	First release	2023-04-26	J Johnson

CAMERA 1 MIPI SWITCH

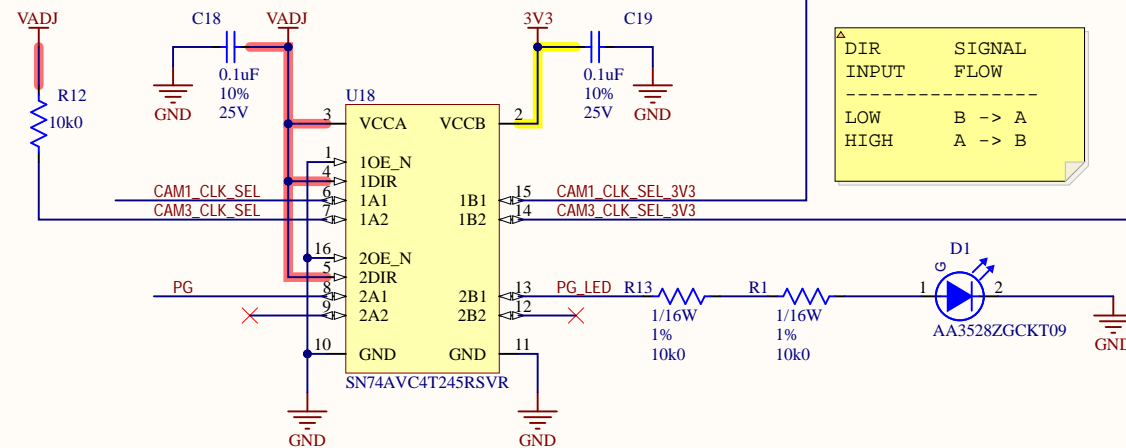


CAMERA 3 MIPI SWITCH



SEL	CLK
INPUT	OUTPUT
LOW	CLKA
HIGH	CLKB

VOLTAGE TRANSLATION



DIR	SIGNAL
INPUT	FLOW
LOW	B -> A
HIGH	A -> B

opsero
ELECTRONIC DESIGN

TITLE: RPI Camera FMC

SHEET: MIPI Switches

CONFIG: [No Variations]

PROJECT: RPI Camera FMC | DRAWN: J Johnson | DATE: 2022-12-09

SIZE: B | SCH PIN: OP068-01-SCH | REV: B-1 | SHEET OF: 3