

Specifications

Ordering Information

F263-12 20 A0 B SY E 1

备注 (Remark)

1. 材料 (MATERIAL)

胶芯: PA6T+30%G.F UL94V-0, 颜色: 黑色.

Housing: PA6T+30%G.F UL94V-0, Color: Black

端子: 青铜, 镍底30u"MIN, 表面镀金1u"MIN

Contact: Bronze, 1u"MIN GOLD PLATING OVER ALL
30u" MIN NICKEL UNDERPLATING OVER ALL

2. 特性 (characteristics):

额定电流: 2 AMP

Rating Current: 2 AMP.

接触阻抗: 20 mΩ MAX.

Contact Resistance: 20 mΩ MAX.

绝缘阻抗: 1000 MΩ MIN.

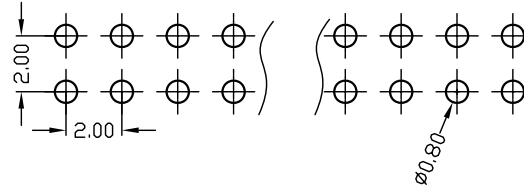
Insulating Resistance: 1000 MΩ MIN.

耐电压: AC 500V.

Withstanding Voltage: AC 500V.

温度范围: -40° C to +105° C

Temperature Range: -40° C to +105° C



NO.OF PINS
PER ROW
2-40P

Contact Plating

Full Of Gold

A0=0.8u"

A1=1u"

A2=1.5u"

A3=2u"

A4=3u"

A5=5u"

A6=10u"

A7=15u"

A8=20u"

A9=30u"

S1=Ordinary Tin Plated

S2=Matte Tin Plated

S3=Tin-plated High-temperature

INSULATOR

MATERIAL:

A:PBT

B:PA6T

C:PA9T

D:LCP

PACKING

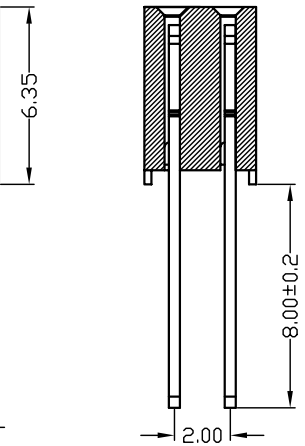
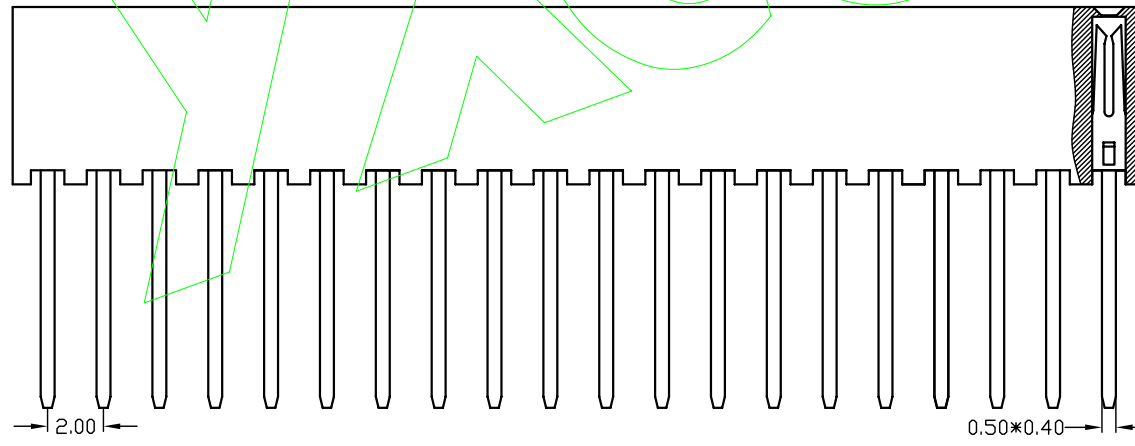
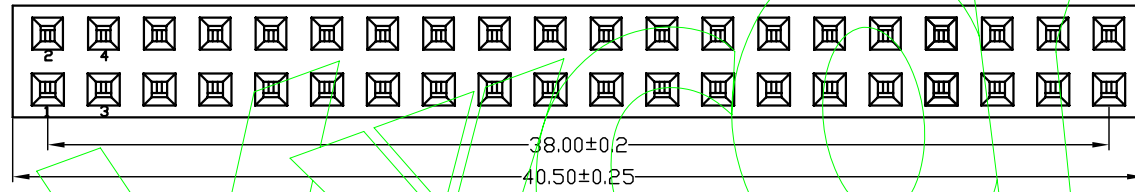
A:PE Bag

B:Tape & Reel

C:Tube

D:Tube+CAP

E:Tray



OPERATION

X.X ±0.25

X.XX ±0.20

X.XXX ±0.10

Angle ±3°

DIM TOL

SCALE

UNIT

SIZE

SHEET

PROJ.

Fit

MM

A4

1/1

APPROVE



东莞市宇熙精密连接器有限公司
Dongguan Yuxi Electronic Co., Ltd.

杨哲

PART NO.

TITLE:

Customer No.

F263-1220A0BSYE1

2.0mm排母 塑高6.35 2*20P 镀普金

PA6T料 180度 Y型 DIP:8.0 盒装

REV	DATE	MODIFICATION DESCRIPTION	CHANGE	APPROVE	OPERATION	SCALE	Fit	Yxcon 东莞市宇熙精密连接器有限公司		PART NO.	TITLE:	Customer No.
					X.X ±0.25	UNIT	MM	SIZE	A4	F263-1220A0BSYE1	2.0mm排母 塑高6.35 2*20P 镀普金	
					X.XX ±0.20			SHEET	1/1		PA6T料 180度 Y型 DIP:8.0 盒装	
					X.XXX ±0.10			PROJ.	APPROVE			
					Angle ±3°							
					DIM TOL							